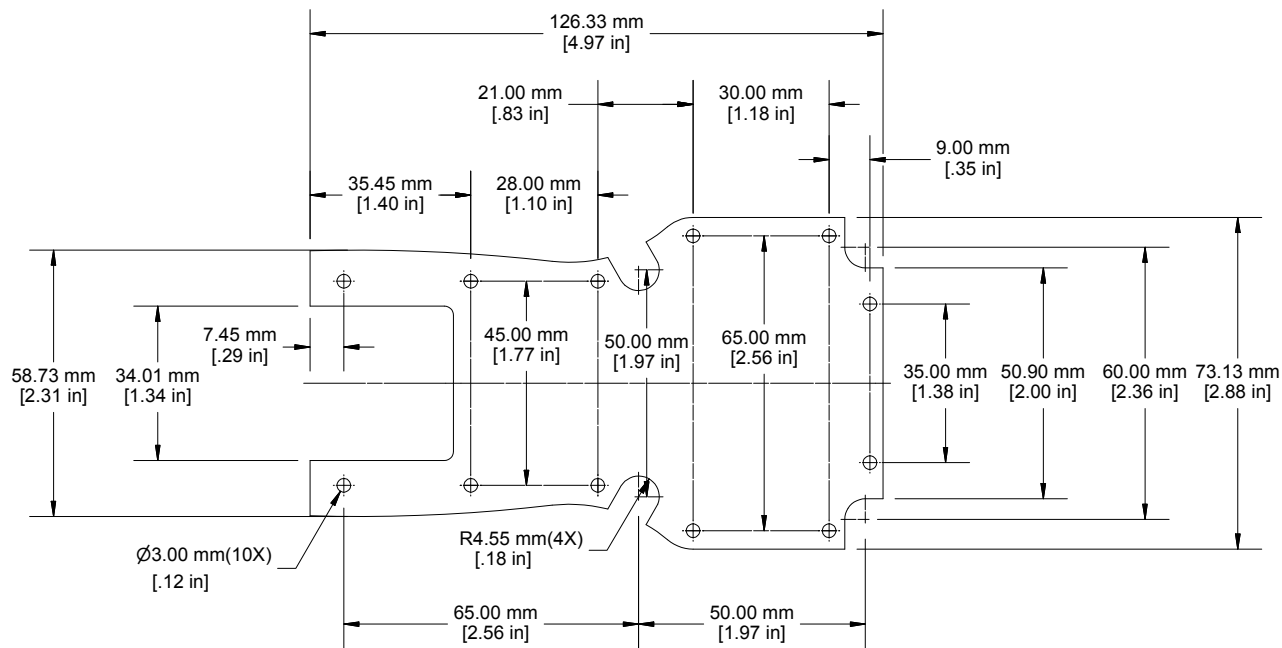
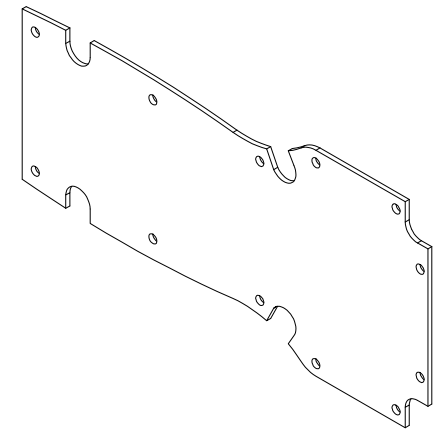


Maximum P.C. Board Size- 1553TT



Maximum P.C. Board Size With Battery-1553TTBAT

